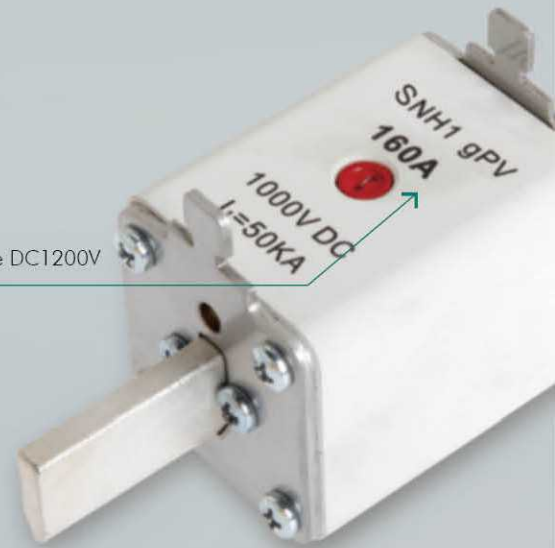


# PV DC Fuse

DC Fuse mainly used in DC combiner box in solar PV systems. When PV panel or inverter causes overload or short circuit, it trip off immediately, to protect PV panels. DC fuse also used to protect other electrical parts in DC circuit, when overload or short circuit.

Maximum current 400A maximum voltage DC1200V



Nylon shell, resistant to high temperatures



## SRD-10gPV 1A-20A Photovoltaic Fuse

Standard: IEC 60269-6, GB/T 13539.6

### Interrupting Capacity

30,000 amperes at 1000V DC (Time Constant: 1-3ms)



### Specifications

| Catalog No. | Current Rating | Safety Approvals |
|-------------|----------------|------------------|
|             |                | TUV              |
| 10gPV1U0    | 1A             | ●                |
| 10gPV2U0    | 2A             | ●                |
| 10gPV3U0    | 3A             | ●                |
| 10gPV3.5U0  | 3.5A           | ●                |
| 10gPV4U0    | 4A             | ●                |
| 10gPV5U0    | 5A             | ●                |
| 10gPV6U0    | 6A             | ●                |
| 10gPV8U0    | 8A             | ●                |
| 10gPV10U0   | 10A            | ●                |
| 10gPV12U0   | 12A            | ●                |
| 10gPV15U0   | 15A            | ●                |
| 10gPV16U0   | 16A            | ●                |
| 10gPV20U0   | 20A            | ●                |

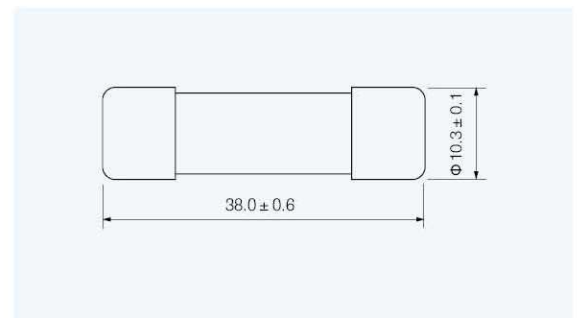
U0 Denotes For 1000V DC:

● Denotes For Approval    ○ Denotes For Pending

### Electrical Characteristics

| % of Current Rating | Blowing Time |
|---------------------|--------------|
| 113%                | 1 hour Min.  |
| 145%                | 1 hour Max.  |

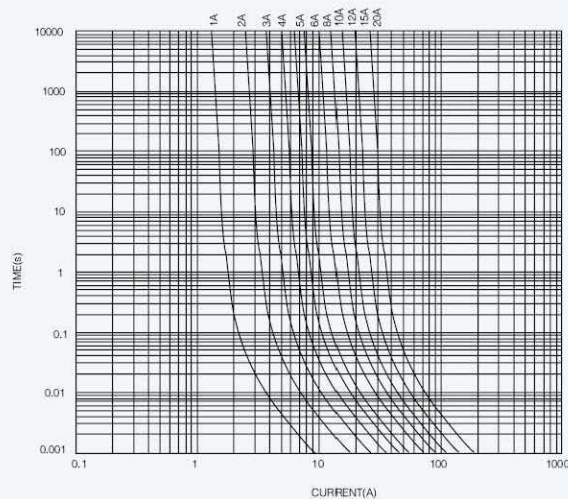
### Dimensions



### SRD-10gPV

Average I-T Characteristics Curve

(For Reference Only)



## SRD-10LgPV 1A-30A Photovoltaic Fuse

Standard: IEC 60269-6, GB/T 13539.6

### Interrupting Capacity (Time Constant: 1-3ms)

- 20,000 amperes at 1500V DC (1A-10A)
- 20,000 amperes at 1250V DC (12A-20A)
- 20,000 amperes at 1000V DC (25A-30A)



### Specifications

| Catalog No. | Current Rating | Safety Approvals |     |
|-------------|----------------|------------------|-----|
|             |                | CGC              | TUV |
| 10LgPV1U15  | 1A             | ○                | ○   |
| 10LgPV2U15  | 2A             | ○                | ○   |
| 10LgPV3U15  | 3A             | ○                | ○   |
| 10LgPV4U15  | 4A             | ○                | ○   |
| 10LgPV5U15  | 5A             | ○                | ●   |
| 10LgPV6U15  | 6A             | ○                | ●   |
| 10LgPV8U15  | 8A             | ○                | ●   |
| 10LgPV10U15 | 10A            | ●                | ●   |
| 10LgPV12U15 | 12A            | ○                | ○   |
| 10LgPV15U15 | 15A            | ●                | ○   |
| 10LgPV16U15 | 16A            | ○                | ○   |
| 10LgPV20U15 | 20A            | ○                | ○   |
| 10LgPV25U0  | 25A            | ○                | ○   |
| 10LgPV30U0  | 30A            | ○                | ○   |

U15 Denotes For 1500V DC  
 U12 Denotes For 1250V DC  
 U0 Denotes For 1000V DC

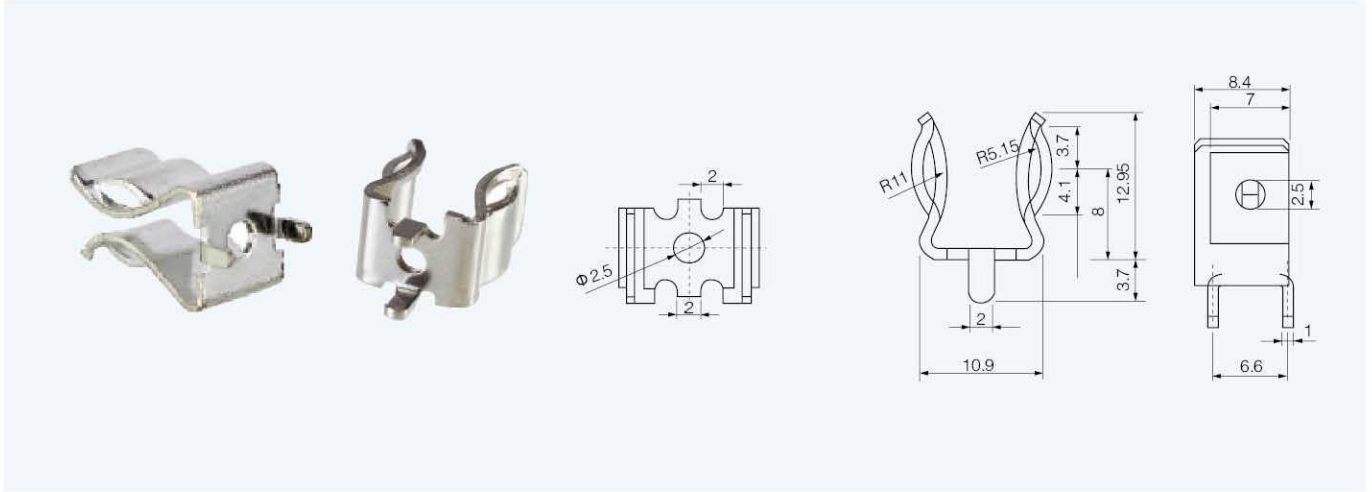
● Denotes For Approval  
 ○ Denotes For Pending

### Electrical Characteristics

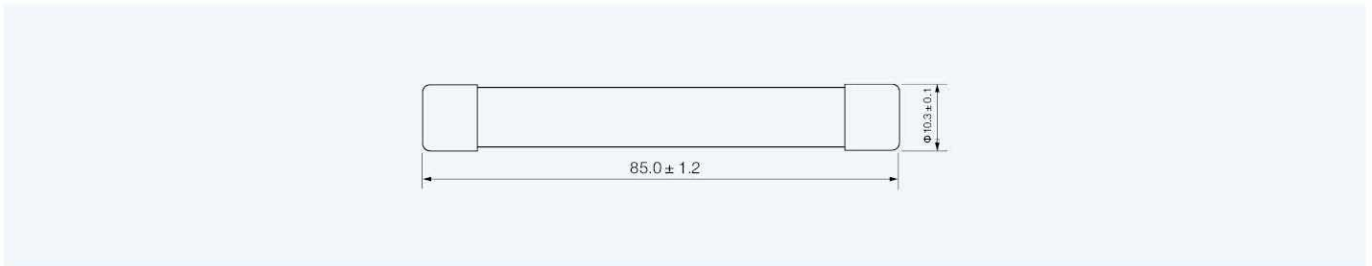
| % of Current Rating | Blowing Time |
|---------------------|--------------|
| 113%                | 1 Hour Min.  |
| 145%                | 1 Hour Max.  |

Recommended fuse-base for 10mm×85mm fuses

See Model of product: SHF-103D SHF-104A

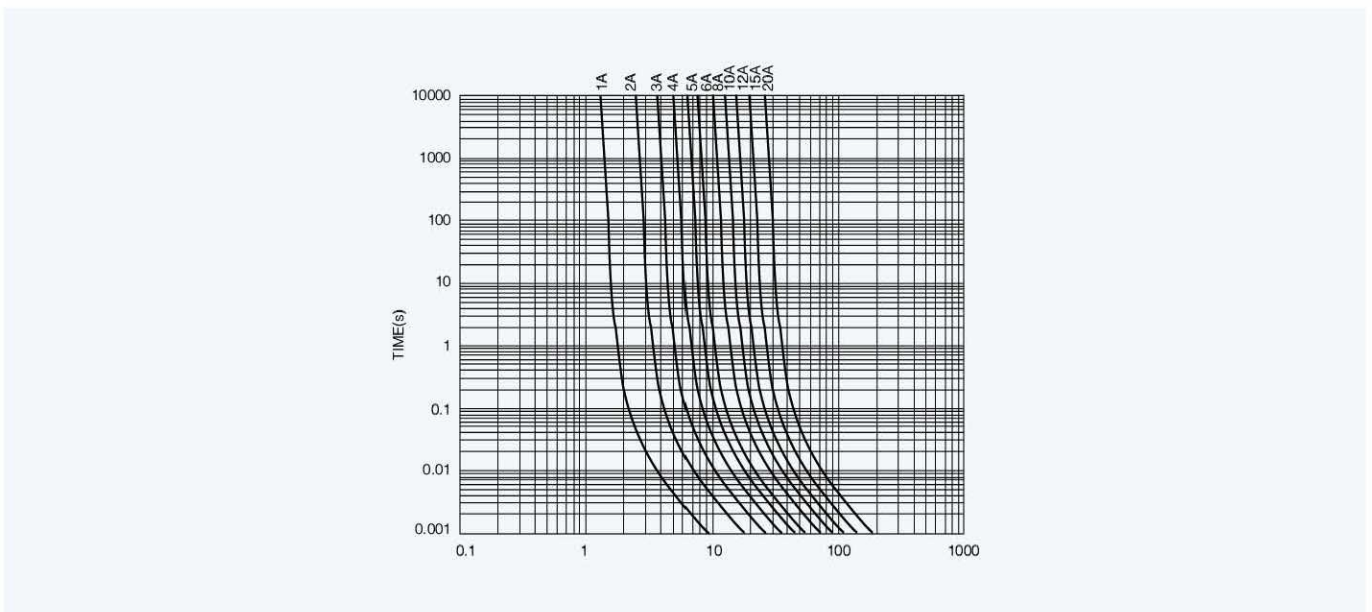


### Dimensions(mm)



### SRD-10LgPV

Average I-T Characteristics Curve(For Reference Only)



**SNH1gPV 1000V DC 32A-160A Photovoltaic Fuse**

Standard: IEC 60269-6, GB/T 13539.6

**Interrupting Capacity**

50,000 amperes at 1000V DC (Time Constant: 1-3 ms)

**SNH1B**

Recommended fuse-base for NH1 fuse

See Model of product: NH1B



**Specifications**

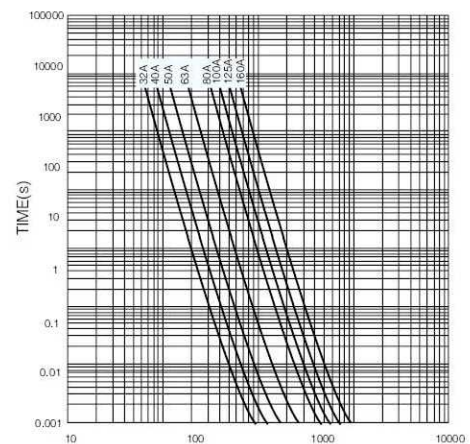
| Catalog No.  | Current Rating | Safety Approvals |  |
|--------------|----------------|------------------|--|
|              |                | TUV              |  |
| SNH1gPV32U0  | 32A            | ○                |  |
| SNH1gPV40U0  | 40A            | ○                |  |
| SNH1gPV50U0  | 50A            | ○                |  |
| SNH1gPV63U0  | 63A            | ○                |  |
| SNH1gPV80U0  | 80A            | ○                |  |
| SNH1gPV100U0 | 100A           | ○                |  |
| SNH1gPV125U0 | 125A           | ○                |  |
| SNH1gPV160U0 | 160A           | ○                |  |

U0 Denotes For 1000V DC

● Denotes For Approval ○ Denotes For Pending

**SNH1gPV**

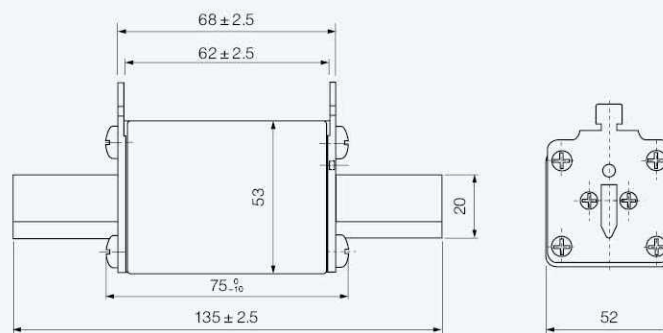
Average I-T Characteristics Curve(For Reference Only)



**Electrical Characteristics**

| Rating        | Blowing Time |             |
|---------------|--------------|-------------|
|               | 1.13In       | 1.45In      |
| In ≤ 60       | 1 hour Min.  | 1 hour Max. |
| 63 < In ≤ 160 | 2 hour Min.  | 2 hour Max. |

**Dimensions(mm)**



## SNH2XLg PV 1100V DC 125A-400A Photovoltaic Fuse

Standard: IEC 60269-6, GB/T 13539.6

### Interrupting Capacity

30,000 Amperes At 1100V DC (Time Constant: 1-3ms)

CE  ROHS



### Specifications

| Catalog No.     | Current Rating | Safety Approvals |     |
|-----------------|----------------|------------------|-----|
|                 |                | CGC              | TUV |
| 2XLgPV125U11A/B | 125A           | ●                | ●   |
| 2XLgPV160U11A/B | 160A           | ●                | ●   |
| 2XLgPV200U11A/B | 200A           | ●                | ●   |
| 2XLgPV250U11A/B | 250A           | ●                | ●   |
| 2XLgPV315U11A/B | 315A           | ●                | ●   |
| 2XLgPV350U11A/B | 350A           | ●                | ●   |
| 2XLgPV400U11A/B | 400A           | ●                | ●   |

U11 Denotes For 1100V

● Denotes For Approval    ○ Denotes For Pending

### Electrical Characteristics

| Rating               | Conventional TIME(H) | Conventional Current               |                                |
|----------------------|----------------------|------------------------------------|--------------------------------|
|                      |                      | Conventional Non-Fusing Current(A) | Conventional Fusing Current(A) |
| $I_n \leq 60$        | 2                    | 1.13I <sub>n</sub>                 | 1.45I <sub>n</sub>             |
| $160 < I_n \leq 400$ | 3                    |                                    |                                |

### SNH2XLB

Recommended fuse-base for NH2XL fuse

See Model of product: NH2XLB NH3LB

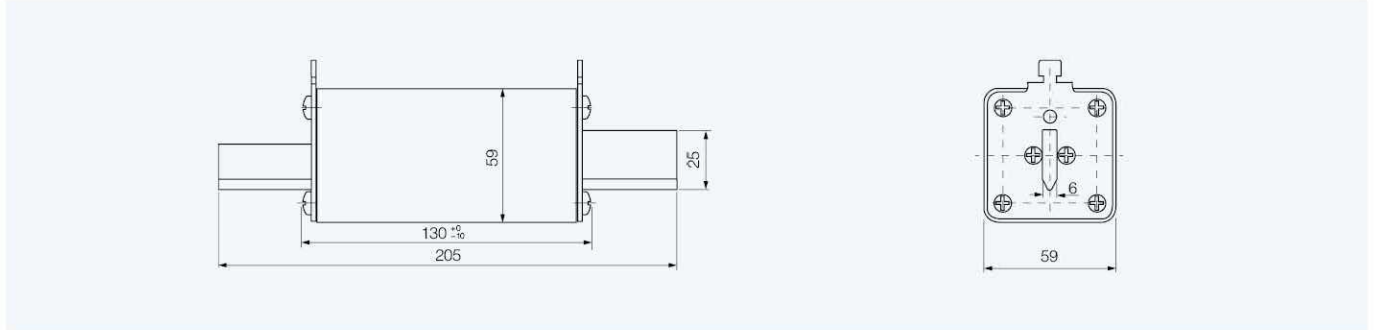
CE  ROHS



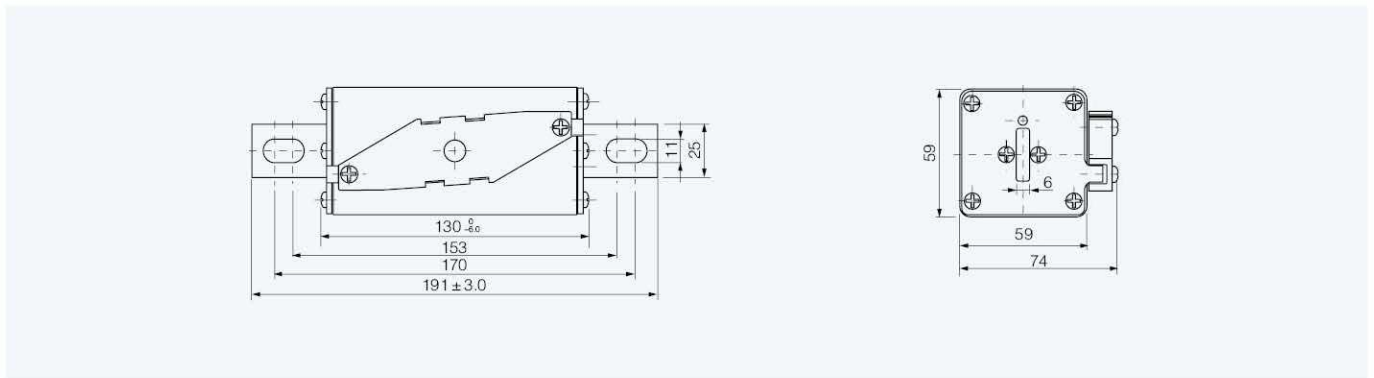
# SNH2XLg PV 1100V DC 125A-400A Photovoltaic Fuse

## Dimensions(mm)

Part No.:SNH2XLgPV (amp rating) U11A

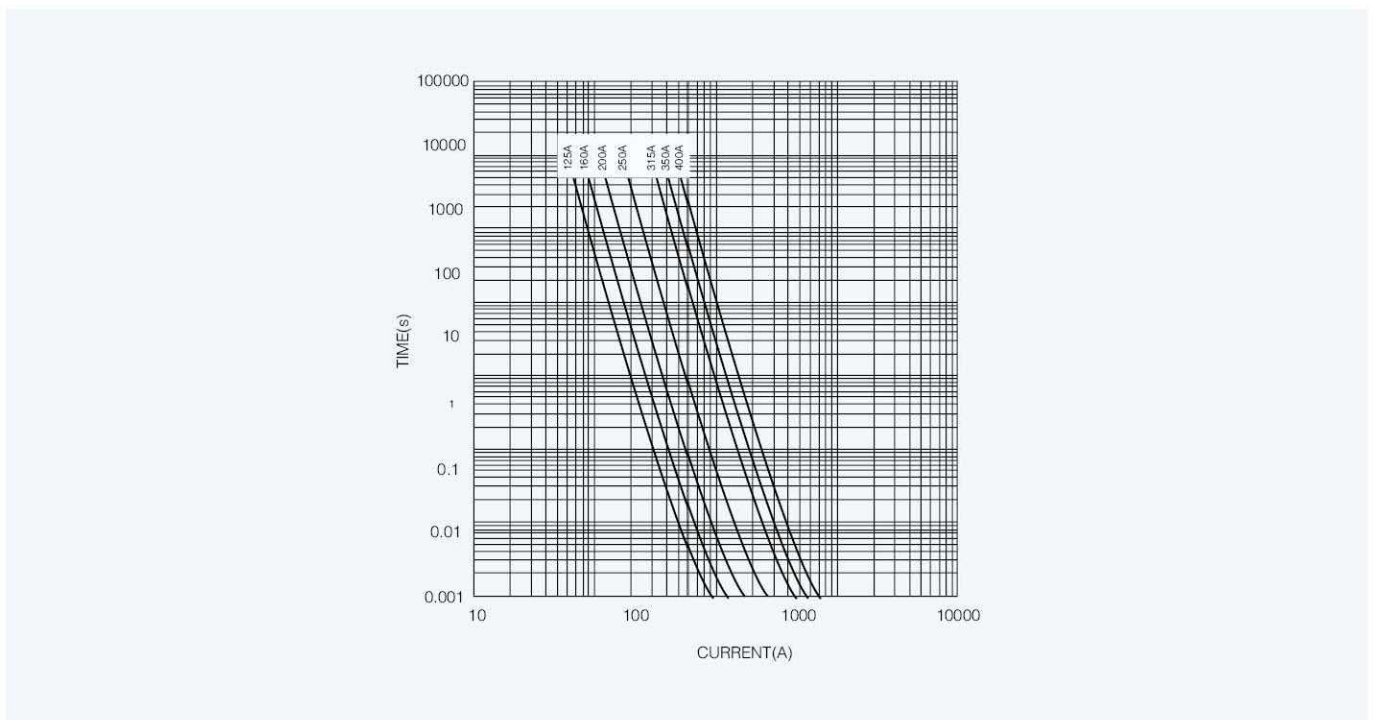


Part No.:SNH2XLgPV (amp rating) U11B



## SNH2XLg PV 1100V

Average I-T Characteristics Curve(For Reference Only)



## Fuse-base with Blade Contacts



SNH00B



SNH1/2/3B



SNH1/2XLB, NH3LB



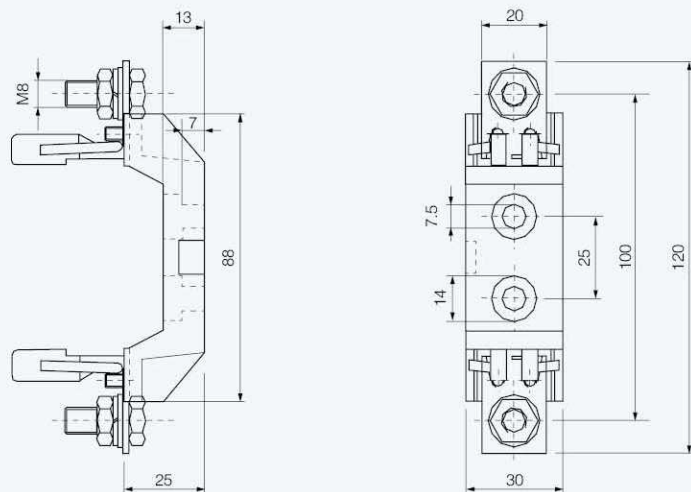
### Specifications

| Model of product | Applicable fuse link size | Rated voltage | Rated current | Safety Approvals |
|------------------|---------------------------|---------------|---------------|------------------|
| SNH00B           | SNH000/NH00               | 690           | 160           | CCC              |
|                  |                           | 1000          | 160           |                  |

| Model of product | Applicable fuse link size | Rated voltage | Rated current | Safety Approvals |
|------------------|---------------------------|---------------|---------------|------------------|
| SNH1B            | SNH01                     | 690           | 250           | CCC              |
|                  |                           | 1000          | 250           |                  |
| SNH2B            | SNH02                     | 690           | 400           |                  |
| SNH3B            | SNH03                     | 690           | 630           |                  |

| Model of product | Applicable fuse link size | Rated voltage | Rated current | Safety Approvals |
|------------------|---------------------------|---------------|---------------|------------------|
| SNH1XLB          | SNH1XL                    | 1000          | 250           |                  |
| SNH2XLB          | SNH2XL                    | 1000          | 400           |                  |
| SNH3LB           | SNH2XL/NH3L               | 1000          | 400           | TUV              |
| SNH3LB           | SNH2XL/NH3L               | 1000          | 630           |                  |

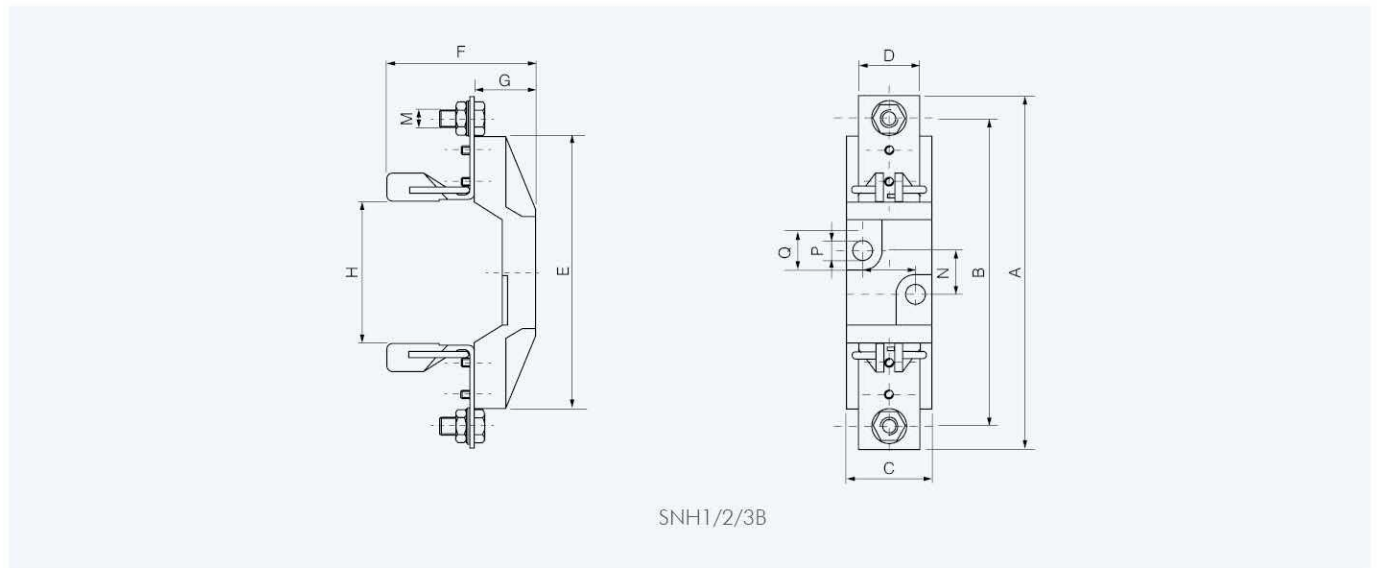
### Dimensions(mm)



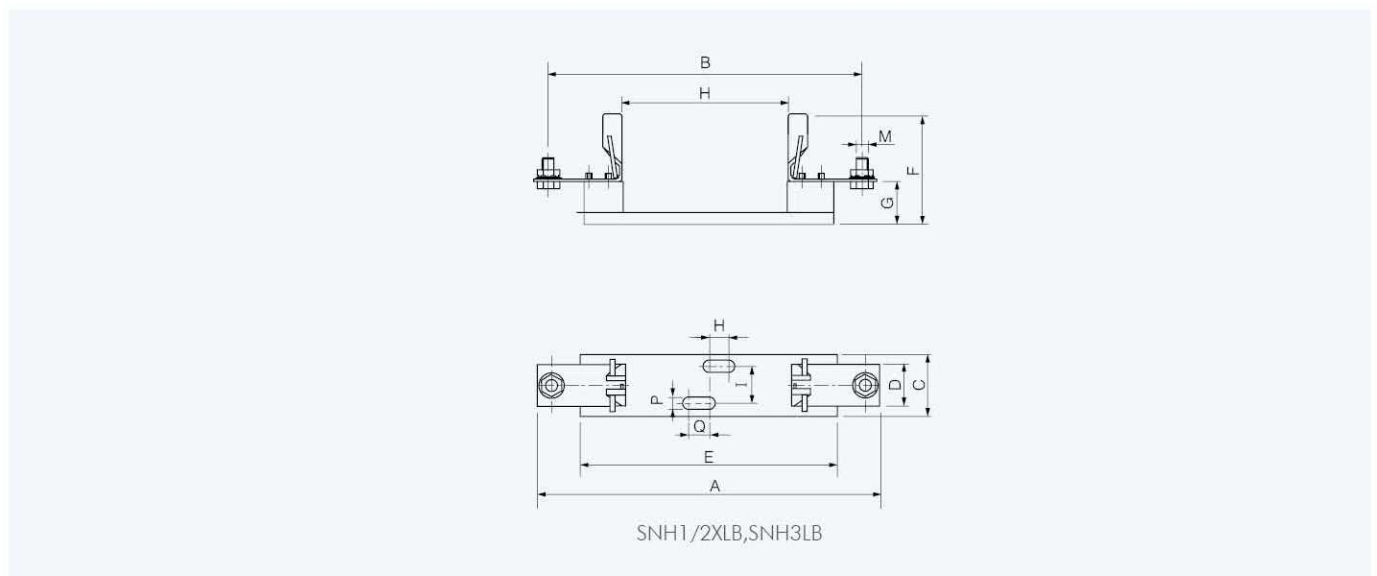
SNH00B



Dimensions(mm)



| Size | A   | B   | C  | D  | E   | F   | G  | H  | I  | M   | N  | P    | Q    |
|------|-----|-----|----|----|-----|-----|----|----|----|-----|----|------|------|
| SNH1 | 200 | 175 | 60 | 35 | 155 | 85  | 35 | 80 | 30 | M10 | 25 | 10.5 | 20.5 |
| SNH2 | 225 | 200 | 60 | 35 | 155 | 90  | 35 | 80 | 30 | M10 | 25 | 10.5 | 20.5 |
| SNH3 | 240 | 210 | 60 | 35 | 155 | 100 | 35 | 80 | 30 | M10 | 25 | 10.5 | 20.5 |



| Size   | A   | B   | C  | D  | E   | F   | G  | H  | I  | M   | N  | P    | Q    |
|--------|-----|-----|----|----|-----|-----|----|----|----|-----|----|------|------|
| SNH1XL | 200 | 175 | 60 | 35 | 155 | 85  | 35 | 80 | 30 | M10 | 25 | 10.5 | 20.5 |
| SNH2XL | 225 | 200 | 60 | 35 | 155 | 90  | 35 | 80 | 30 | M10 | 25 | 10.5 | 20.5 |
| SNH3XL | 240 | 210 | 60 | 35 | 155 | 100 | 35 | 80 | 30 | M10 | 25 | 10.5 | 20.5 |